



UNIVERSITY OF CAMBRIDGE INTERNATIONAL EXAMINATIONS
General Certificate of Education
Advanced Subsidiary Level and Advanced Level

CANDIDATE
NAME

CENTRE
NUMBER

--	--	--	--	--

CANDIDATE
NUMBER

--	--	--	--



PHYSICS

9702/02

Paper 2 AS Structured Questions

May/June 2007

1 hour

Candidates answer on the Question Paper.

No Additional Materials are required.

READ THESE INSTRUCTIONS FIRST

Write your Centre number, candidate number and name on all the work you hand in.
Write in dark blue or black pen.
You may use a soft pencil for any diagrams, graphs or rough working.
Do not use staples, paper clips, highlighters, glue or correction fluid.
DO NOT WRITE IN ANY BARCODES.

Answer **all** questions.
You may lose marks if you do not show your working or if you do not use appropriate units.

At the end of the examination, fasten all your work securely together.
The number of marks is given in brackets [] at the end of each question or part question.

For Examiner's Use	
1	
2	
3	
4	
5	
6	
7	
Total	

This document consists of **16** printed pages.



Data

speed of light in free space,	$c = 3.00 \times 10^8 \text{ m s}^{-1}$
permeability of free space,	$\mu_0 = 4\pi \times 10^{-7} \text{ H m}^{-1}$
permittivity of free space,	$\epsilon_0 = 8.85 \times 10^{-12} \text{ F m}^{-1}$
elementary charge,	$e = 1.60 \times 10^{-19} \text{ C}$
the Planck constant,	$h = 6.63 \times 10^{-34} \text{ J s}$
unified atomic mass constant,	$u = 1.66 \times 10^{-27} \text{ kg}$
rest mass of electron,	$m_e = 9.11 \times 10^{-31} \text{ kg}$
rest mass of proton,	$m_p = 1.67 \times 10^{-27} \text{ kg}$
molar gas constant,	$R = 8.31 \text{ J K}^{-1} \text{ mol}^{-1}$
the Avogadro constant,	$N_A = 6.02 \times 10^{23} \text{ mol}^{-1}$
the Boltzmann constant,	$k = 1.38 \times 10^{-23} \text{ J K}^{-1}$
gravitational constant,	$G = 6.67 \times 10^{-11} \text{ N m}^2 \text{ kg}^{-2}$
acceleration of free fall,	$g = 9.81 \text{ m s}^{-2}$

Formulae

uniformly accelerated motion,

$$s = ut + \frac{1}{2}at^2$$

$$v^2 = u^2 + 2as$$

work done on/by a gas,

$$W = p\Delta V$$

gravitational potential,

$$\phi = -\frac{Gm}{r}$$

hydrostatic pressure,

$$p = \rho gh$$

pressure of an ideal gas,

$$p = \frac{1}{3} \frac{Nm}{V} \langle c^2 \rangle$$

simple harmonic motion,

$$a = -\omega^2 x$$

velocity of particle in s.h.m.,

$$v = v_0 \cos \omega t$$

$$v = \pm \omega \sqrt{(x_0^2 - x^2)}$$

electric potential,

$$V = \frac{Q}{4\pi\epsilon_0 r}$$

capacitors in series,

$$1/C = 1/C_1 + 1/C_2 + \dots$$

capacitors in parallel,

$$C = C_1 + C_2 + \dots$$

energy of charged capacitor,

$$W = \frac{1}{2} QV$$

resistors in series,

$$R = R_1 + R_2 + \dots$$

resistors in parallel,

$$1/R = 1/R_1 + 1/R_2 + \dots$$

alternating current/voltage,

$$x = x_0 \sin \omega t$$

radioactive decay,

$$x = x_0 \exp(-\lambda t)$$

decay constant,

$$\lambda = \frac{0.693}{t_{\frac{1}{2}}}$$

Answer **all** the questions in the spaces provided.

- 1 The uncalibrated scale and the pointer of a meter are shown in Fig. 1.1.

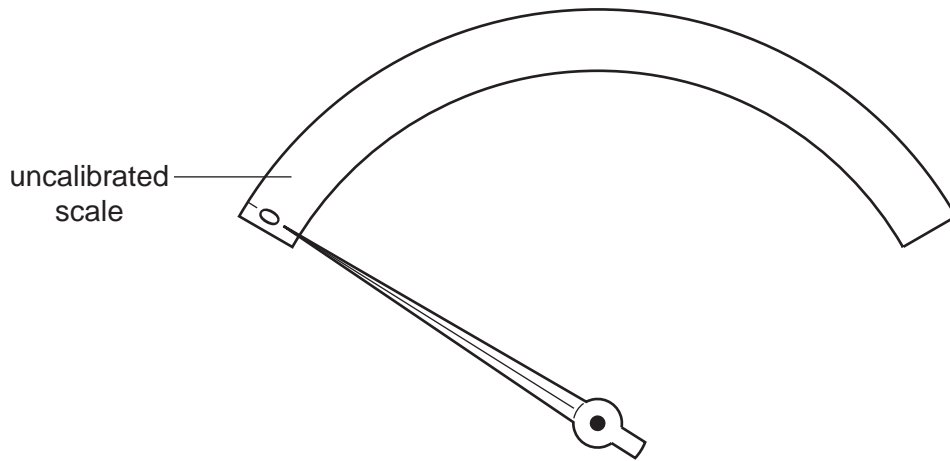


Fig. 1.1

The pointer is shown in the zero position.

The meter is to be used to indicate the volume of fuel in the tank of a car.

A known volume V of fuel is poured into the tank and the deflection θ of the pointer is noted.

Fig. 1.2 shows the variation with θ of V .

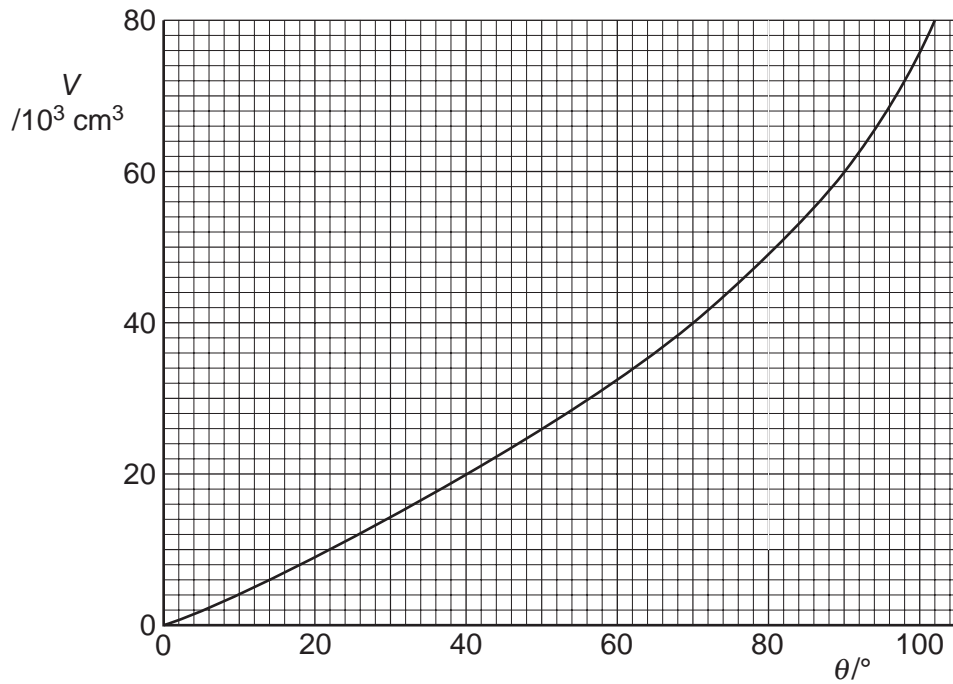
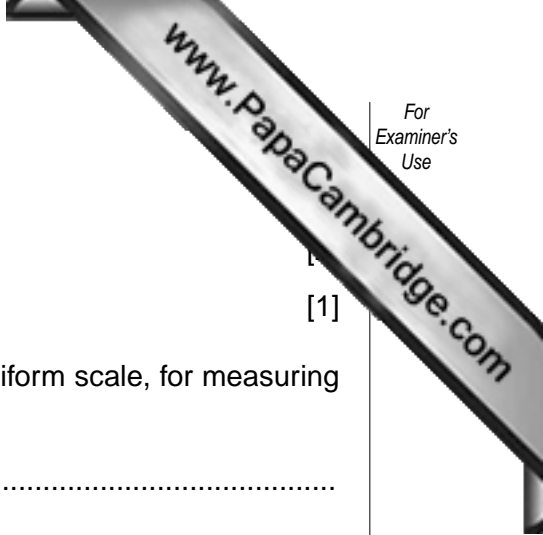


Fig. 1.2



(a) On Fig. 1.1,

(i) calibrate the scale at $20 \times 10^3 \text{ cm}^3$ intervals,

[1]

(ii) mark a possible position for a volume of $1.0 \times 10^5 \text{ cm}^3$.

[1]

(b) Suggest one advantage of this scale, as compared with a uniform scale, for measuring fuel volumes in the tank of the car.

.....

.....[1]

- 2 (a) Define *electric field strength*.

.....
 [1]

- (b) Two flat parallel metal plates, each of length 12.0 cm, are separated by a distance of 1.5 cm, as shown in Fig. 2.1.

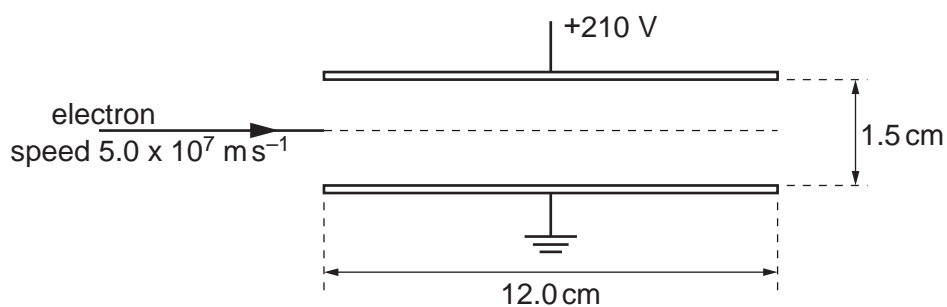


Fig. 2.1

The space between the plates is a vacuum.

The potential difference between the plates is 210 V. The electric field may be assumed to be uniform in the region between the plates and zero outside this region.

Calculate the magnitude of the electric field strength between the plates.

field strength = N C⁻¹ [1]

- (c) An electron initially travels parallel to the plates along a line mid-way between the plates as shown in Fig. 2.1. The speed of the electron is $5.0 \times 10^7 \text{ ms}^{-1}$.

For the electron between the plates,

- (i) determine the magnitude and direction of its acceleration,

acceleration = ms^{-2}

direction [4]

- (ii) calculate the time for the electron to travel a horizontal distance equal to the length of the plates.

time = s [1]

- (d) Use your answers in (c) to determine whether the electron will hit one of the plates or emerge from between the plates.

- 3 (a) Define *density*.

.....

- (b) Liquid of density ρ fills a container to a depth h , as illustrated in Fig. 3.1.

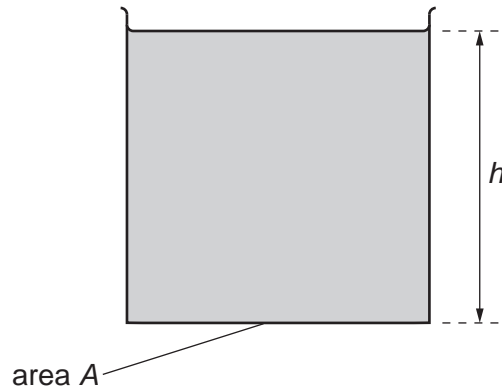


Fig. 3.1

The container has vertical sides and a base of area A .

- (i) State, in terms of A , h and ρ , the mass of liquid in the container.

.....[1]

- (ii) Hence derive an expression for the pressure p exerted by the liquid on the base of the container. Explain your working.

[2]

- (c) The density of liquid water is 1.0 g cm^{-3} . The density of water vapour at atmospheric pressure is approximately $\frac{1}{1600} \text{ g cm}^{-3}$.

Determine the ratio

- (i) $\frac{\text{volume of water vapour}}{\text{volume of equal mass of liquid water}}$,

ratio =[1]

- (ii) $\frac{\text{mean separation of molecules in water vapour}}{\text{mean separation of molecules in liquid water}}$.

ratio =[2]

- (d) State the evidence for

- (i) the molecules in solids and liquids having approximately the same separation,

.....
.....[1]

- (ii) strong rigid forces between molecules in solids.

strong:

rigid:[2]

- 4 (a) A stone of mass 56 g is thrown horizontally from the top of a cliff with a speed of 18 m s^{-1} , as illustrated in Fig. 4.1.

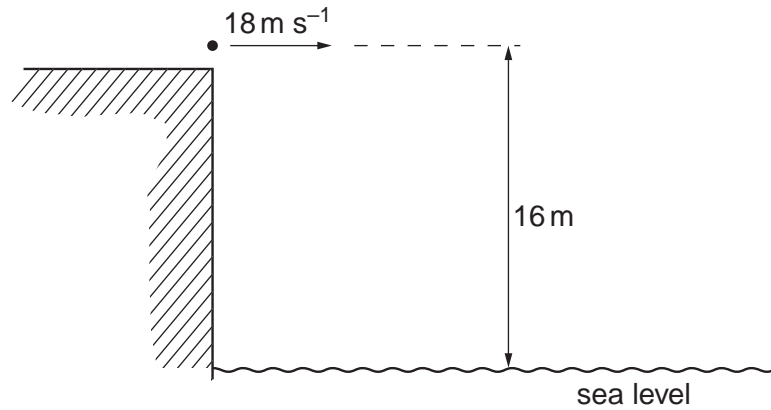


Fig. 4.1

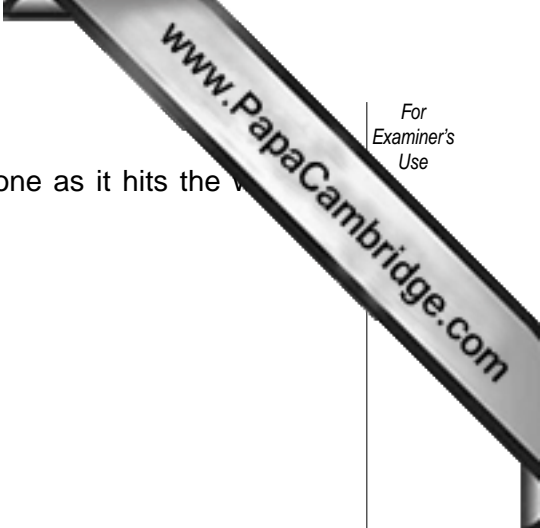
The initial height of the stone above the level of the sea is 16 m. Air resistance may be neglected.

- (i) Calculate the change in gravitational potential energy of the stone as a result of falling through 16 m.

change = J [2]

- (ii) Calculate the total kinetic energy of the stone as it reaches the sea.

kinetic energy = J [3]



(b) Use your answer in (a)(ii) to show that the speed of the stone as it hits the water is approximately 25ms^{-1} .

[1]

(c) State the horizontal velocity of the stone as it hits the water.

horizontal velocity = ms^{-1} [1]

(d) (i) On the grid of Fig. 4.2, draw a vector diagram to represent the horizontal velocity and the resultant velocity of the stone as it hits the water. [1]

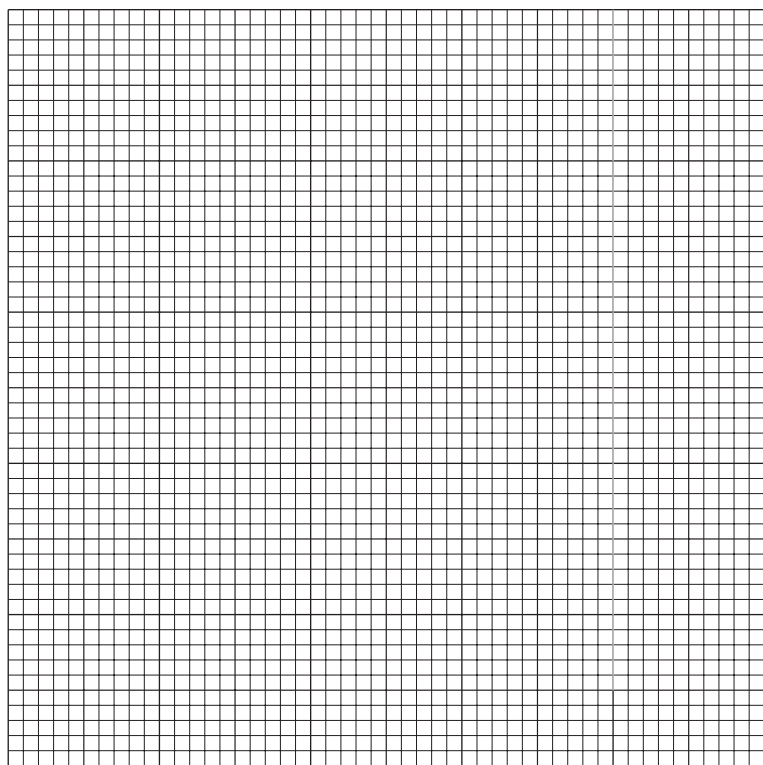


Fig. 4.2

(ii) Use your vector diagram to determine the angle with the horizontal at which the stone hits the water.

angle = $^{\circ}$ [2]

5 Light reflected from the surface of smooth water may be described as a polarised transverse wave.

(a) By reference to the direction of propagation of energy, explain what is meant by

(i) a *transverse wave*,

.....
[1]

(ii) *polarisation*.

.....
[1]

(b) A glass tube, closed at one end, has fine dust sprinkled along its length. A sound source is placed near the open end of the tube, as shown in Fig. 5.1.

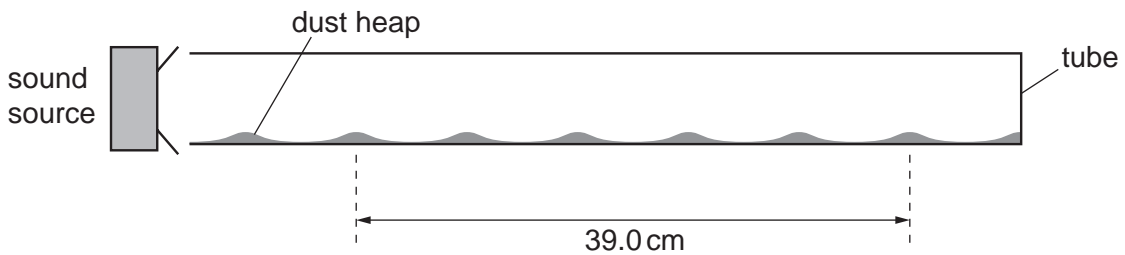


Fig. 5.1

The frequency of the sound emitted by the source is varied and, at one frequency, the dust forms small heaps in the tube.

(i) Explain, by reference to the properties of stationary waves, why the heaps of dust are formed.

.....

[3]

- (ii) One frequency at which heaps are formed is 2.14 kHz.
The distance between six heaps, as shown in Fig. 5.1, is 39.0 cm.
Calculate the speed of sound in the tube.

speed =ms⁻¹ [3]

- (c) The wave in the tube is a stationary wave. Explain, by reference to the formation of a stationary wave, what is meant by the speed calculated in (b)(ii).

.....
.....
.....
.....[3]

- 6 A car battery has an internal resistance of $0.060\ \Omega$. It is re-charged using a battery having an e.m.f. of $14\ \text{V}$ and an internal resistance of $0.10\ \Omega$, as shown in Fig. 6.1.

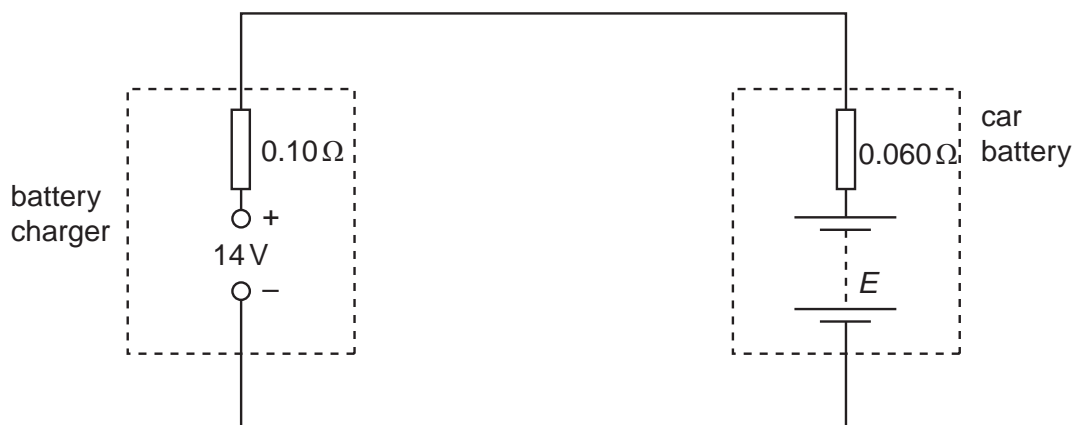


Fig. 6.1

- (a) At the beginning of the re-charging process, the current in the circuit is $42\ \text{A}$ and the e.m.f. of the battery is E (measured in volts).

- (i) For the circuit of Fig. 6.1, state

1. the magnitude of the total resistance,

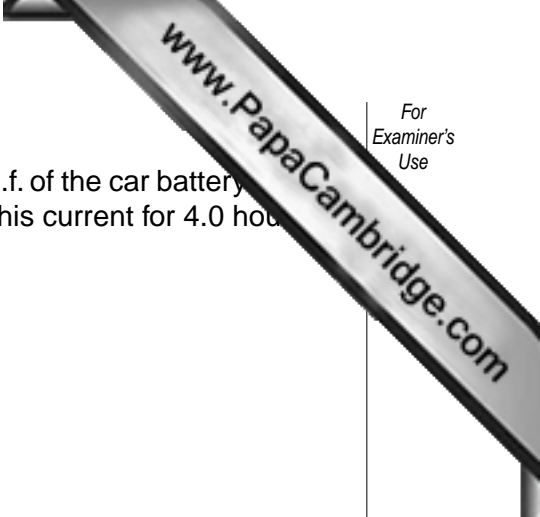
resistance = Ω

2. the total e.m.f. in the circuit. Give your answer in terms of E .

e.m.f. = V
[2]

- (ii) Use your answers to (i) and data from the question to determine the e.m.f. of the car battery at the beginning of the re-charging process.

e.m.f. = V [2]



(b) For the majority of the charging time of the car battery, the e.m.f. of the car battery is 12.0 V and the charging current is 12.5 A. The battery is charged at this current for 4.0 hours. Calculate, for this charging time,

(i) the charge that passes through the battery,

charge = C [2]

(ii) the energy supplied from the battery charger,

energy = J [2]

(iii) the total energy dissipated in the internal resistance of the battery charger and the car battery.

energy = J [2]

(c) Use your answers in (b) to calculate the percentage efficiency of transfer of energy from the battery charger to stored energy in the car battery.

efficiency =% [2]

- 7 The radioactive decay of a strontium (Sr) nucleus is represented in Fig. 7.1.

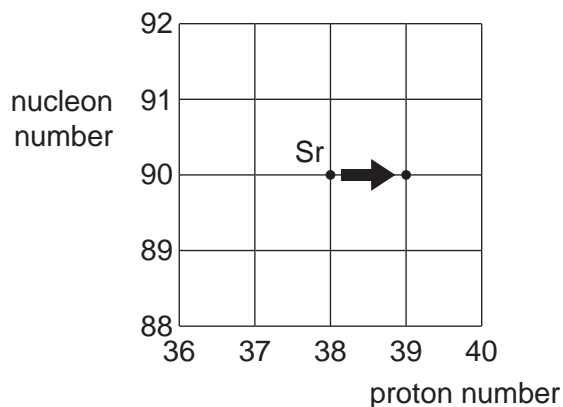


Fig. 7.1

- (a) State whether Fig. 7.1 represents α -decay, β -decay or γ -decay.

.....[1]

- (b) One type of radioactive decay cannot be represented on Fig. 7.1. Identify this decay and explain why it cannot be represented.

.....

[2]